



Radio module

WLM200N5-23 ESD MINIPCI

Single-Band 5GHz 802.11n MIMO 2 x 2 miniPCI

Features

- Atheros XSPAN family chipset
- 5GHz IEEE 802.11n compliant and backward compatible with 802.11a
- 5GHz Single-band MIMO 2x2 spatial multiplexing technique
- Maximum 23dBm output (per chain)/26dBm aggregate
- Built-in ESD Protection with ESD/EMP Immunity Threshold: 15KeV^①
- Supports up to 300Mbps physical data rates
- Delivers 10 times the throughput and nearly twice the range of legacy 802.11a network
- Transmission Power Control (IEEE 802.11h TPC)
- Dynamic Frequency Selection (DFS)
- Multi-Country Roaming Supported (IEEE802.11d Global Harmonization Standard)
- 2 x MMCX or 2 x U.FL Antenna Connectors^②

Technical Specifications			
Chipset	Atheros AR9220		
Host Interface	PCI Interface v2.3 (Type III-A Mini PCI form factor)		
Operating Voltage	3.3 VDC		
Power Consumption	11a Cont. Tx @6M	3.5W	
	11na Cont. Tx@HT20 MCS0	3W	
	11na Cont. Tx@HT40 MCS0	3W	
	11a Cont. Rx	0.9W	
	Standby	0.7W	
Antenna Connector	2 x MMCX or 2 x U.FL ^②		
Data Rate	IEEE 802.11a :	54Mbps 48Mbps 36Mbps 24Mbps 18Mbps 12Mbps 9Mbps 6Mbps	
	IEEE 802.11n :	20MHz	1Nss: 65Mbps @ 800GI, 72.2Mbps @ 400GI (Max.) 2Nss: 130Mbps @ 800GI, 144.4Mbps @ 400GI (Max.)
		40MHz	1Nss: 135Mbps @ 800GI, 150Mbps @ 400GI (Max.) 2Nss: 270Mbps @ 800GI, 300Mbps @ 400GI (Max.)
	Frequency Range	IEEE 802.11a/n:	5.150 ~ 5.350 GHz, 5.470 ~ 5.725GHz, 5.725 ~ 5.850 GHz (US & Canada) 5.150 ~ 5.350 GHz, 5.470 ~ 5.725GHz, 5.725 ~ 5.875 GHz (Europe) 5.150 ~ 5.250 GHz, 5.250 ~ 5.350GHz, 5.470 ~ 5.725GHz(Japan)
Modulation Techniques	OFDM: BPSK, QPSK, 16QAM, 64QAM		
Radio & EMC Certification	CE, FCC		
RoHS Compliance	Yes		
Temperature Range	Operating: -20°C to 70°C Storage: -40°C to 90°C		
Humidity	Operating: 5% to 95% (non-condensing) Storage: Max.90% (non-condensing)		
Dimension	59.6mm x 51.5mm x 6mm		

WLM200N5-23 ESD MIMO MINIPCI CARD RADIO							
TX SPECIFICATIONS							
	DataRate	TX Power				Tolerance	
802.11a	6-24Mbps	23dBm				±2dB	
	36Mbps	22dBm				±2dB	
	48Mbps	21dBm				±2dB	
	54Mbps	20dBm				±2dB	
	DataRate	TX Power (per chain)	Tolerance		DataRate	TX Power (per chain)	Tolerance
5GHz 11n HT 20	MCS 0/8	23dBm	±2dB	5GHz 11n HT 40	MCS 0/8	21dBm	±2dB
	MCS 1/9	22dBm	±2dB		MCS 1/9	21dBm	±2dB
	MCS 2/10	20.5dBm	±2dB		MCS 2/10	19.5dBm	±2dB
	MCS 3/11	20.5dBm	±2dB		MCS 3/11	19.5dBm	±2dB
	MCS 4/12	19.5dBm	±2dB		MCS 4/12	19dBm	±2dB
	MCS 5/13	19dBm	±2dB		MCS 5/13	17.5dBm	±2dB
	MCS 6/14	18dBm	±2dB		MCS 6/14	17.5dBm	±2dB
	MCS 7/15	17dBm	±2dB		MCS 7/15	14dBm	±2dB
RX SPECIFICATIONS							
	Data Rate	Sensitivity (2 chains)	Tolerance		Data Rate	Sensitivity (2 chains)	Tolerance
802.11a	6M	-97dBm	±2dB	802.11a	24M	-90dBm	±2dB
	9M	-97dBm	±2dB		36M	-87dBm	±2dB
	12M	-96dBm	±2dB		48M	-83dBm	±2dB
	18M	-94dBm	±2dB		54M	-80dBm	±2dB
5GHz 11n HT 20	MCS0	-97dBm	±2dB	5GHz 11n HT 40	MCS0	-92dBm	±2dB
	MCS1	-94dBm	±2dB		MCS1	-90dBm	±2dB
	MCS2	-92dBm	±2dB		MCS2	-87dBm	±2dB
	MCS3	-87dBm	±2dB		MCS3	-84dBm	±2dB
	MCS4	-84dBm	±2dB		MCS4	-82dBm	±2dB
	MCS5	-80dBm	±2dB		MCS5	-78dBm	±2dB
	MCS6	-79dBm	±2dB		MCS6	-76dBm	±2dB
	MCS7	-77dBm	±2dB		MCS7	-74dBm	±2dB

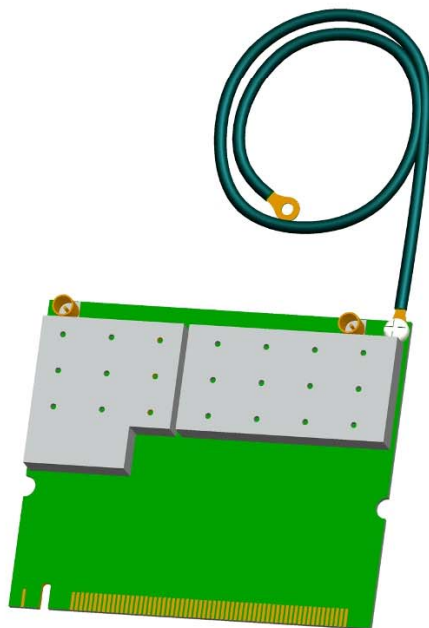
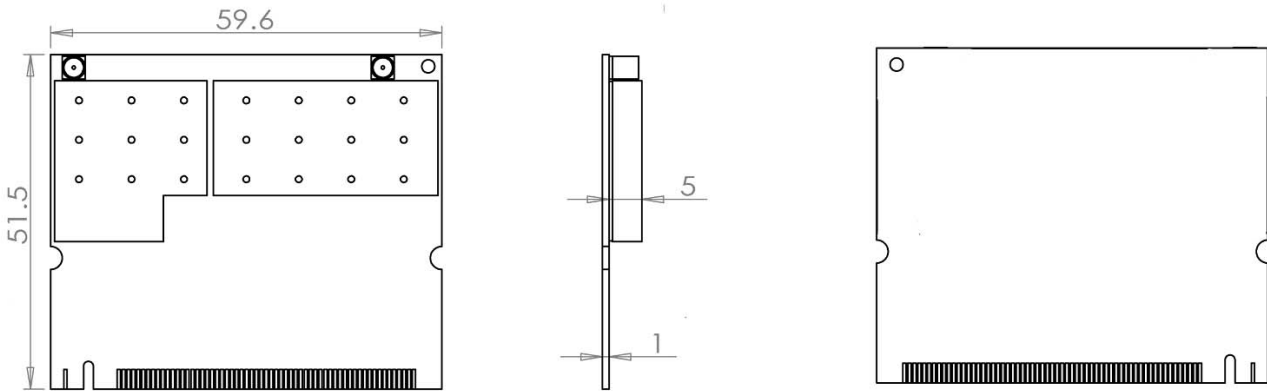
ESD CABLE SPECIFICATION	
Cable Dimensions	26cm length
Terminal Material	Copper
Attachment Procedure	End of ESD Cable tied to Earth Ground

Ordering Information ^③

CODES	Antenna Connectors type	Carton Dimension
WLM200N5-23 6AA1300ESD	U.FL	For 50pcs (pcs/ctn), 0.40m * 0.22m * 0.085m / 0.006 = 1.5KG
WLM200N5-23 6BA1300ESD	MMCX	For 250pc (pcs/ctn), 0.45m * 0.45m * 0.24m / 0.006 = 8.1KG

- ① Module grounding cable included
- ② Depends on your order configuration
- ③ Configurations are subject to change without notice
Please contact Complex sales representatives for other available configurations

Dimensions Drawing



WLM SERIES MINIPCI

b / g (2.4GHz)								a / b / g (2.4/5GHz)				
MODEL	WLM 54G-20dBm	WLM 54G-23dBm	WLM 54G-26dBm	WLM 54G-28dBm	WLM54G-30dBm	WLM200N2	WLM200N2-26dBm	WLM 54AG - 20dBm	WLM 54AG - 23dBm	WLM 54A - 26dBm	WLM200NX	WLM200N5-26
CHIPSET	AR 2413/2414 (AR5005G/GS)	AR 2413/2414 (AR5005G/GS)	AR 2413/2414 (AR5005G/GS)	AR 2413/2414 (AR5005G/GS)	AR 2413/2414 (AR5005G/GS)	AR9223	AR9223	AR 5413/5414 (AR5006X/XS)	AR 5413/5414 (AR5006X/XS)	AR5414 (AR5006XS)	AR9220	AR9220
SPEED	UP TO 54/108Mbps	UP TO 54/108Mbps	UP TO 54/108Mbps	UP TO 54/108Mbps	UP TO 54/108Mbps	UP TO 300Mbps physical data rates	UP TO 300Mbps physical data rates	UP TO 54/108Mbps	UP TO 54/108Mbps	UP TO 108Mbps	UP TO 300Mbps physical data rates	UP TO 300Mbps physical data rates
OUTPUT POWER (Average)												
802.11a								20dBm@6-24Mbps	23dBm@6-24Mbps	26dBm@6-24Mbps	20dBm@6-24Mbps	26dBm@6-24Mbps
								17dBm@36Mbps	21dBm@36Mbps	24dBm@36Mbps	17dBm@36Mbps	26dBm@36Mbps
								16dBm@48Mbps	19dBm@48Mbps	22dBm@48Mbps	16dBm@48Mbps	25dBm@48Mbps
								13dBm@54Mbps	17dBm@54Mbps	20dBm@54Mbps	13dBm@54Mbps	19dBm@54Mbps
802.11b	20dBm@1-11Mbps	23dBm@1-11Mbps	26dBm@1-11Mbps	28dBm@1-11Mbps	30dBm@1-11Mbps	20dBm@1-11Mbps	26dBm@1-11Mbps	20dBm@1-11Mbps	23dBm@1-11Mbps	-	20dBm@1-11Mbps	-
802.11g	20dBm@6-24Mbps	23dBm@6-24Mbps	26dBm@6-24Mbps	28dBm@6-24Mbps	30dBm@6-24Mbps	20dBm@6-24Mbps	26dBm@6-24Mbps	20dBm@6-24Mbps	23dBm@6-24Mbps	-	20dBm@6-24Mbps	-
	19dBm@36Mbps	22dBm@36Mbps	25dBm@36Mbps	26dBm@36Mbps	28dBm@36Mbps	19.5dBm@36Mbps	26dBm@36Mbps	18dBm@36Mbps	21dBm@36Mbps	-	18dBm@36Mbps	-
	17dBm@48Mbps	19dBm@48Mbps	24dBm@48Mbps	25dBm@48Mbps	27dBm@48Mbps	18.5dBm@48Mbps	22dBm@48Mbps	17dBm@48Mbps	19dBm@48Mbps	-	17dBm@48Mbps	-
	16dBm@54Mbps	17dBm@54Mbps	22dBm@54Mbps	23dBm@54Mbps	25dBm@54Mbps	17dBm@54Mbps	21dBm@54Mbps	15dBm@54Mbps	17dBm@54Mbps	-	15dBm@54Mbps	-
Interface	PCI Interface v2.3 (Type III-B Mini PCI Form Factor)					PCI Interface v2.3 (Type III-A Mini PCI Form Factor)		PCI Interface v2.3 (Type III-B Mini PCI Form Factor)			PCI Interface v2.3 (Type III/A Mini PCI Form Factor)	
Receiver Sensitivity	802.11g -94dBm @ 6Mbps < -73dBm @ 54Mbps 802.11b -94dBm @ 6Mbps -91dBm @ 11Mbps		802.11g -96dBm @ 6Mbps < -83dBm @ 54Mbps 802.11b -96dBm @ 6Mbps -91dBm @ 11Mbps			802.11g -96dBm @ 6Mbps < -83dBm @ 54Mbps 802.11b -96dBm @ 6Mbps -91dBm @ 11Mbps		802.11g -94dBm @ 6Mbps < -73dBm @ 54Mbps 802.11b -94dBm @ 6Mbps -91dBm @ 11Mbps 802.11a -94dBm @ 6Mbps < -73dBm @ 54Mbps		-94dBm @6Mbps -73dBm @54Mbps	Refer to datasheet	Refer to datasheet
Operating Channels	IEEE 802.11g: 11 Channel (US & Canada) 13 Channel (Europe) 14 Channel (Japan)							IEEE 802.11a: 13 Channel (US & Canada) 19 Channel (Europe) 10 Channel (Japan)				
Input Power	3.3V DC											
Operating Temperature	-20°C to 70°C											

Compex Systems Pte Ltd

135 Joo Seng Road, PM Industrial Building #08-01,
Singapore 368363
Tel: (65) 6286 2086
Fax: (65) 6280-9947
Email: sales@compex.com.sg

Compex (Suzhou) Co Ltd

NO.12, ChuangTou Industrial Square,
LouFeng North, Suzhou Industrial Park,
Suzhou, Jiangsu Province, China 215122
Tel: (86)-512-62950050
Fax: (86)-512-62950026



Copyright © 2010 Compex Systems. All rights reserved. COMPEX and the COMPEX logo, are registered trademarks of COMPEX Inc. Atheros and other trademarks are properties of their respective owners. While every effort is made to ensure the information accurate, Compex does not accept liability for any errors or mistakes that may arise. Specification is subject to change without notice. DS V: 2.2.1 Rocky_100526

For more information, visit www.compex.com.sg